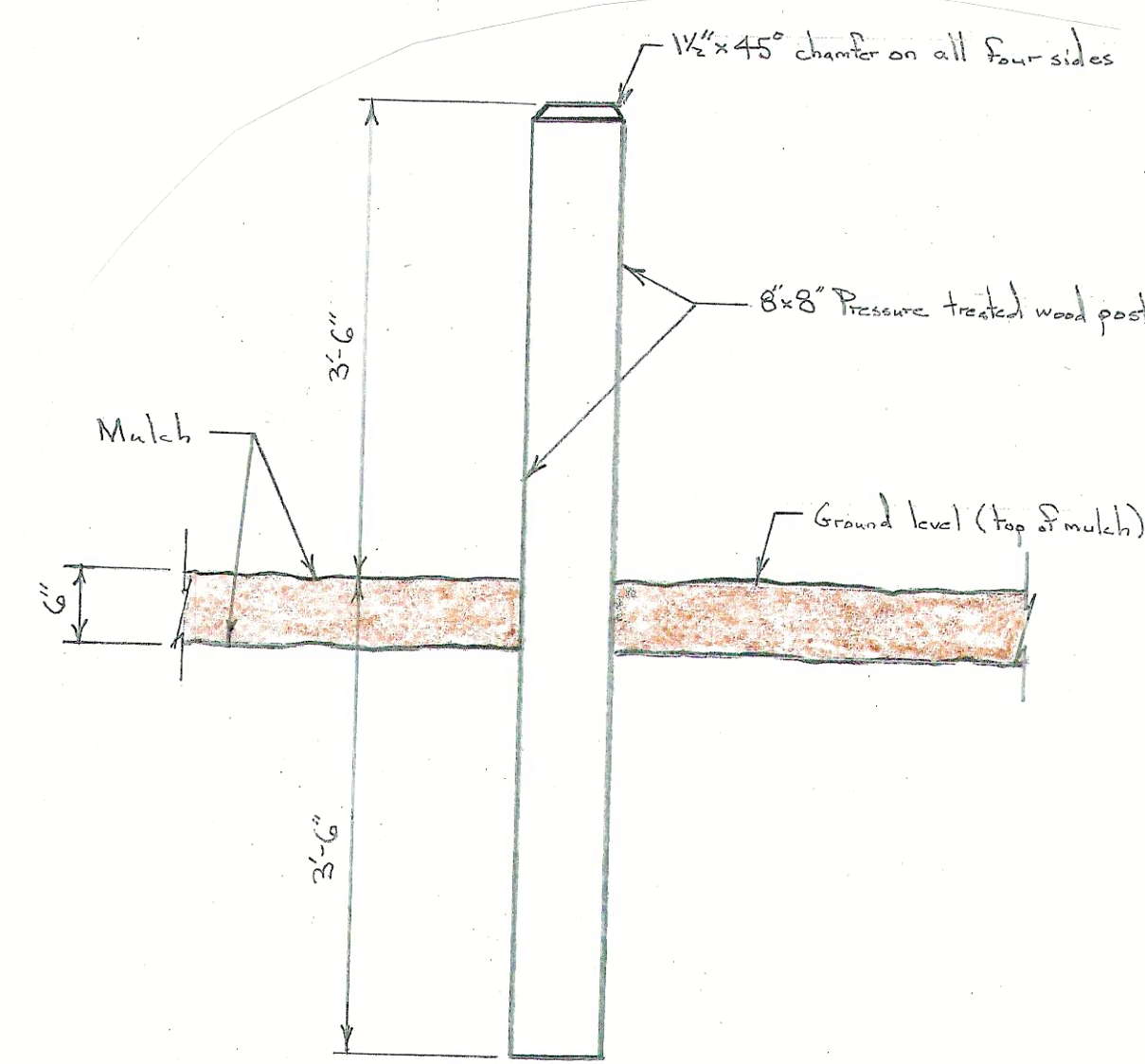




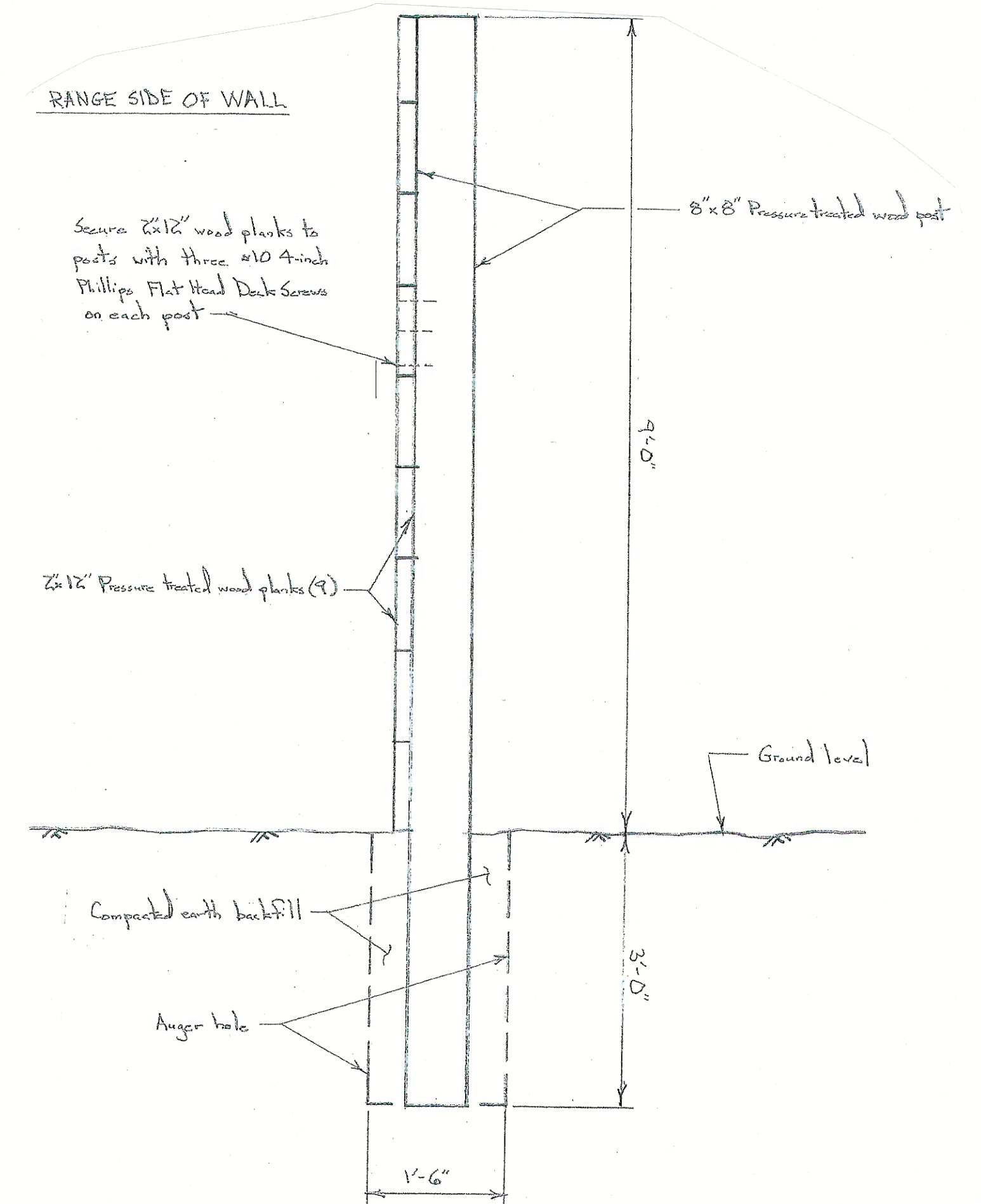
HANDICAPPED PARKING AREA DETAIL

Scale: 3 in. = 1 ft.



GUARD POST DETAIL

Scale: 3/4 in. = 1 ft.

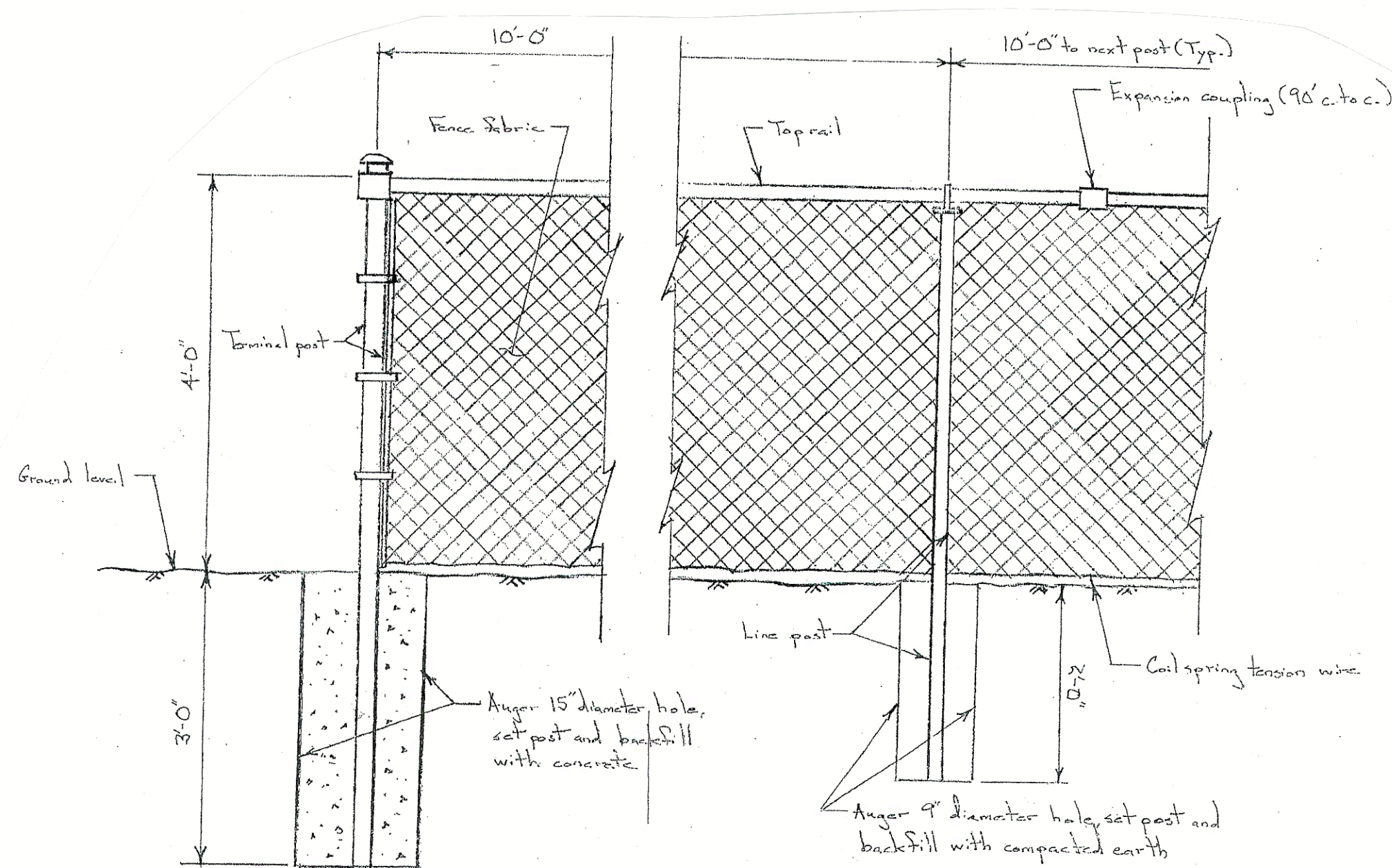


POST WALL SECTION

Scale: 3/4 in. = 1 ft.

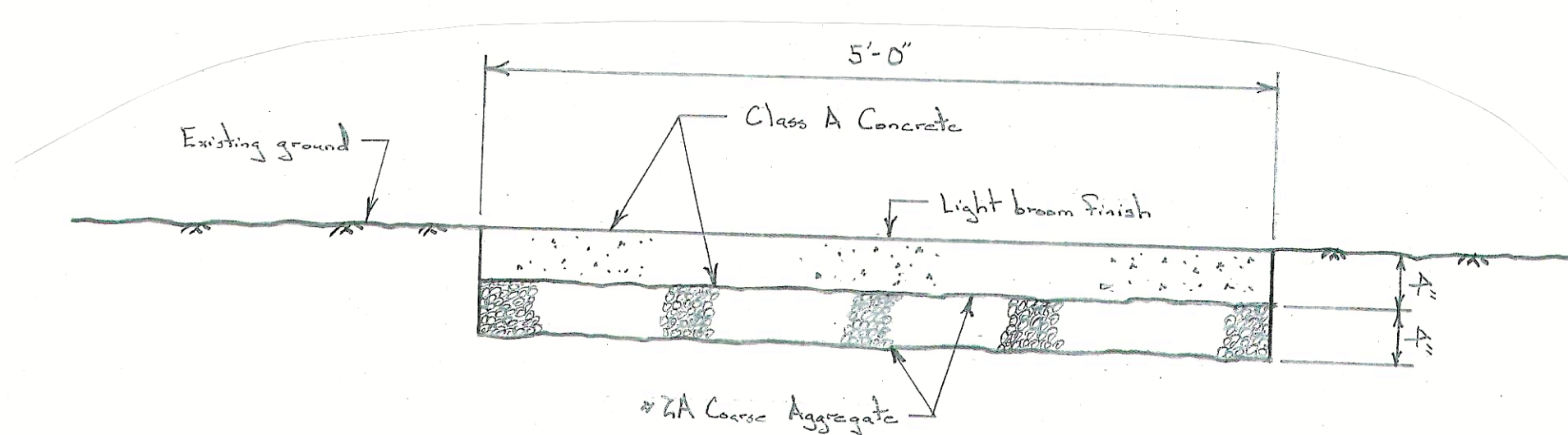
CONCRETE NOTES

1. All concrete is PennDOT Class A concrete with a mix design compressive strength of 3,300 psi. The concrete shall have poly fibers included in the mix.
2. Exposed surfaces shall receive a light broom finish for traction.
3. Concrete shall be membrane cured. Membrane can be applied by spray, roller or brush.
4. All exposed edges shall be rounded with a concrete edger. The edger shall have a 1/2-inch radius.
5. The sidewalks shall have joints spaced on 5-foot centers. The floor slab in the shelters shall have joints spaced on 8-foot centers. The joints can be formed, tooled or sawcut.
6. Every third joint shall be an expansion joint with 3/4" preformed joint material. The joints at walkway intersections are considered expansion joints and must be equipped with joint material.



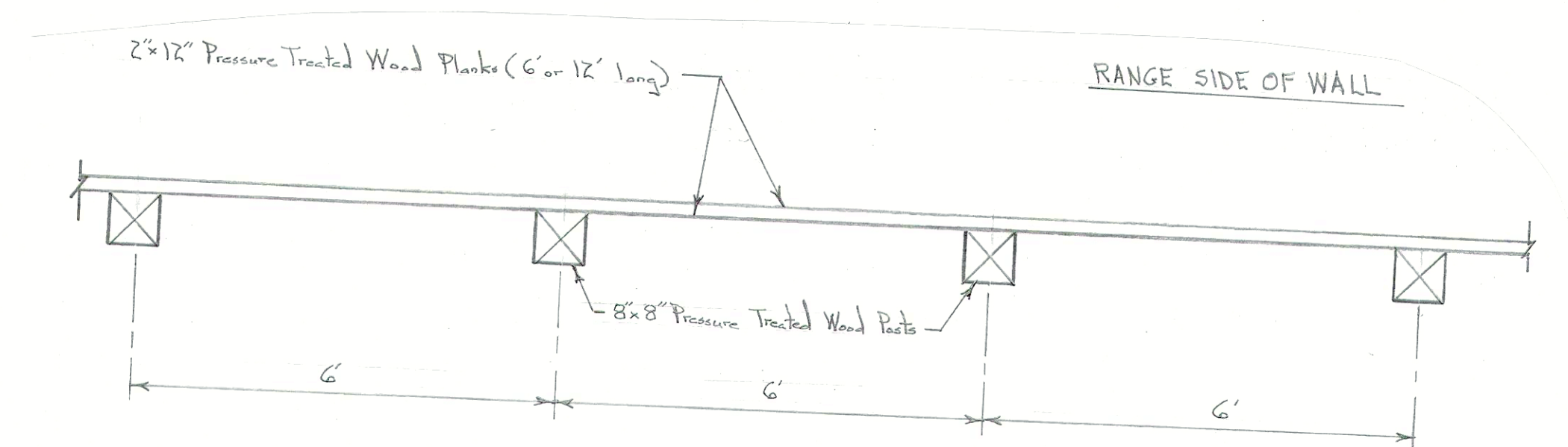
CHAIN LINK FENCE DETAIL

Scale: 3/4 in. = 1 ft.



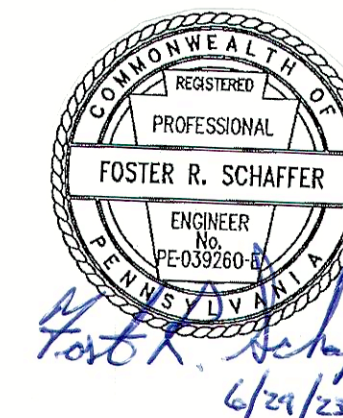
CONCRETE SIDEWALK SECTION

Scale: 1 in. = 1 ft.



POST WALL PLAN

Scale: 1/2 in. = 1 ft.



PENNSYLVANIA GAME COMMISSION		
SGL #180	SHOHOLA TWP.	PIKE CO.
ARCHERY RANGE CONSTRUCTION PROJECT		
MISCELLANEOUS DETAILS		
REVISIONS		PROJECT NO. PGC-180-23-01
▲		DRAWN BY: F.S.
▲		DATE: 6/29/23
▲		SHEET NO. 5 OF 5